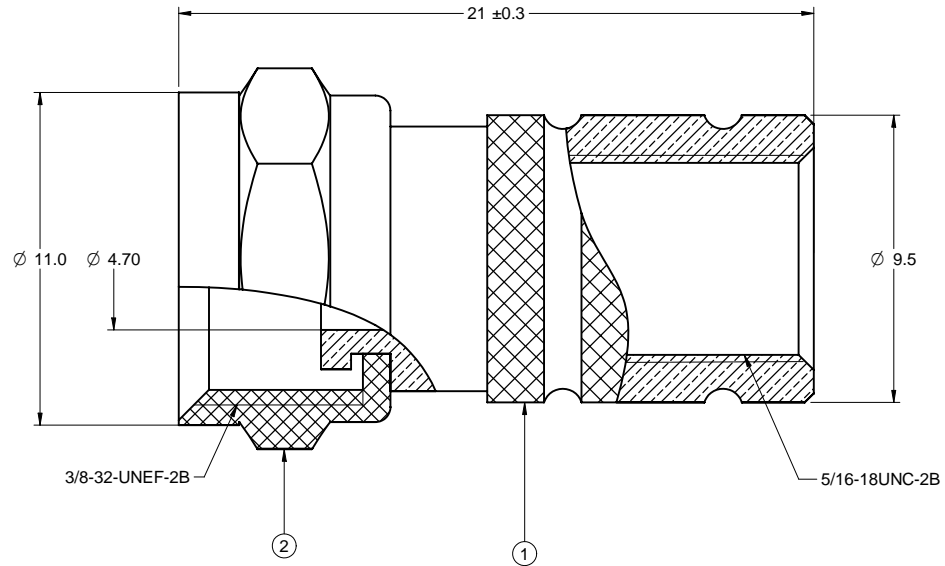
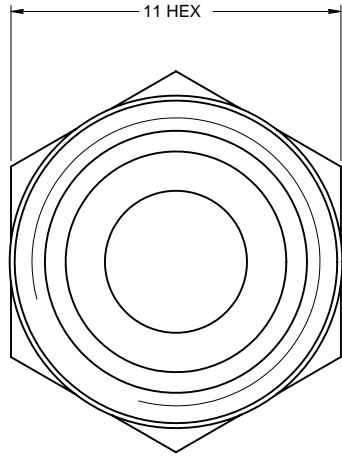


|             |                        |                       |
|-------------|------------------------|-----------------------|
| PART NUMBER | ITEM ①<br>BODY         | ITEM ②<br>NUT         |
| 25-7180     | BRASS<br>NICKEL PLATED | ZINC<br>NICKEL PLATED |

DRAWING NO.  
25-7180

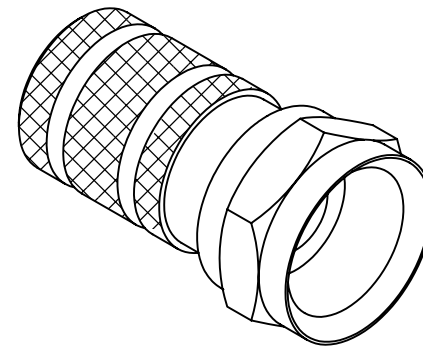
REVISIONS

|                           |          |   |   |   |  |
|---------------------------|----------|---|---|---|--|
| RELEASE FOR QUOTATION     |          |   |   |   |  |
| A                         | 05-22-06 | W | W | T |  |
| DELETE DIMENSION 2.3&1.30 |          |   |   |   |  |
| B                         | 08-10-06 | W | W | T |  |
| ADD NOTES 4 & 5           |          |   |   |   |  |
| C                         | 10-31-06 | Y | L | T |  |



NOTES:

- ELECTRICAL SPECIFICATIONS  
 IMPEDANCE: 75 OHMS NOMINAL  
 FREQUENCY RANGE: 0-750 MHZ  
 WORKING VOLTAGE: 500 VRMS MAX AT SEA LEVEL  
 DIELECTRIC WITHSTANDING VOLTAGE: 1500 VRMS MAX AT SEA LEVEL  
 INSULATION RESISTANCE: 5000 MEGOHMS MINIMUM
- MECHANICAL SPECIFICATIONS  
 DURABILITY: 100 CYCLES  
 CABLE RETENTION: 20 LBS  
 CABLE ACCEPTABILITY: STANDARD RG-6
- ENVIRONMENTAL SPECIFICATIONS  
 RECOMMENDED TEMPERATURE RANGE: -55 °C TO +85°C  
 MOISTURE RESISTANCE: MIL-STD-202
- PRODUCT SHOULD BE RoHS COMPLIANCE
- PACKAGING REQUIREMENT FOLLOWS ENGINEERING DOCUMENT P/N 836-40200001XX.



THIS DRAWING TO BE INTERPRETED  
PER ANSI Y 14.5M - 1994

COMPANY CONFIDENTIAL

|                                      |        |             |          |
|--------------------------------------|--------|-------------|----------|
| TOLERANCE UNLESS OTHERWISE SPECIFIED |        | DRAWN BY    | DATE     |
| DECIMALS                             | mm     | BETTY.YU    | 10-30-06 |
| X                                    | + 0.5  | CHECKED BY  | DATE     |
|                                      |        | LINDA.WU    | 10-30-06 |
| X.X                                  | + 0.2  | APPROVED BY | DATE     |
| X.XX                                 | + 0.1  | THOMAS      | 10-30-06 |
| ANGLES                               | + 0.5° | U/M         | mm       |

|                                    |                               |
|------------------------------------|-------------------------------|
|                                    | <b>Connectivity Solutions</b> |
|                                    | TITLE                         |
| <b>TWIST ON W/ DELUXE 1/2 BODY</b> |                               |

|   |  |        |             |      |
|---|--|--------|-------------|------|
| THIS DRAWING WAS PRODUCED BY COMPUTER, DO NOT SCALE DRAWING OR UPDATE MANUALLY. |  | SHEET  | DRAWING NO. | SIZE |
|   |  | 1 OF 1 | 25-7180     | C    |